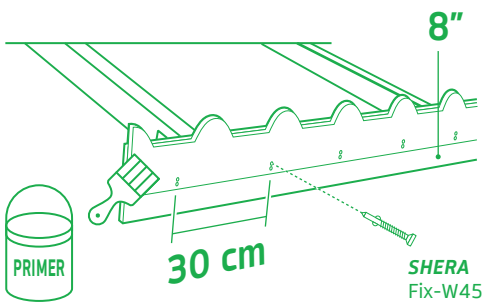
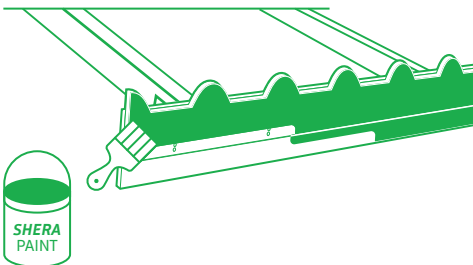


- 1 Install rafters spacing not more than 100 cm apart.

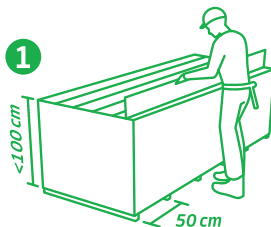


- 2 Prime uncolored SHERA Eaves Filler Unit prior to installation.
- 3 Fasten SHERA Eaves Filler Unit over SHERA 8" Eaves and screw the eaves together at every 30 cm.



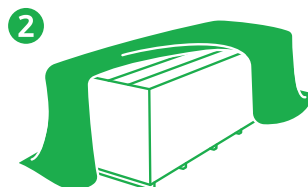
- 4 Caulk at all end joints and over the screw heads. Clean up before painting.

Handling & storage



SHERA products should be handled and stacked carefully to avoid damages to their edges and corners.

The maximum height of stack is 1 meter with timber bearers supported at every 50 cm.



SHERA products should be stacked on dry and leveled ground.

It is recommended to store SHERA under shade to prevent damages that could occur to the product in case of prolonged exposure to high humidity environment prior to installation.



During a transfer, SHERA products should be handled at 50 cm from both ends.

The product should be lifted such that its side is parallel to the floor.

Avoid installing SHERA product under wet condition to reduce chance of cracking.