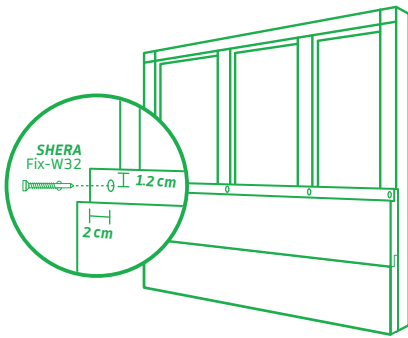


- 1 Install steel studs spacing not more than 60 cm. apart.
- 2 Prime uncolored *SHERA* Splendid Plank prior to installation.

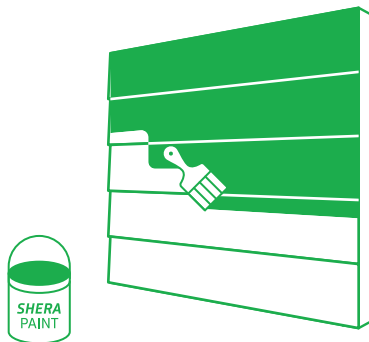


- 3 Lay up the plank such that the tongues point toward the direction of installation.

Fasten the plank to the steel studs.

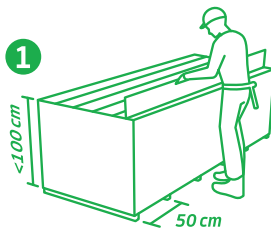
Cover the tongues with the next grooved edge next grooved edge of the plank to hide the screw heads.

Recommended overlapping length is 2.5 cm. and place the first plank with ground clearance of 2-5 cm to avoid direct contact with damp or water



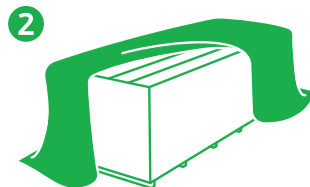
- 4 Caulk at all end joints and the corners of wall. Clean up the plank before painting.

## Handling & storage



*SHERA* products should be handled and stacked carefully to avoid damages to their edges and corners.

The maximum height of stack is 1 meter with timber bearers supported at every 50 cm.



*SHERA* products should be stacked on dry and leveled ground.

It is recommended to store *SHERA* under shade to prevent damages that could occur to the product in case of prolonged exposure to high humidity environment prior to installation.



During a transfer, *SHERA* products should be handled at 50 cm. from both ends.

The product should be lifted such that its side is parallel to the floor.

Avoid installing *SHERA* product under wet condition to reduce chance of cracking.