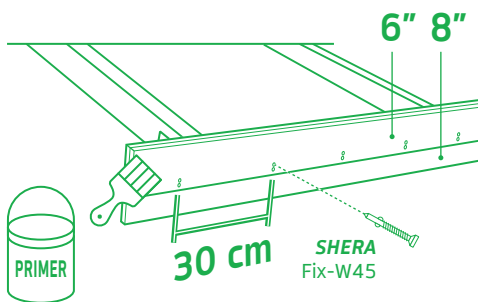
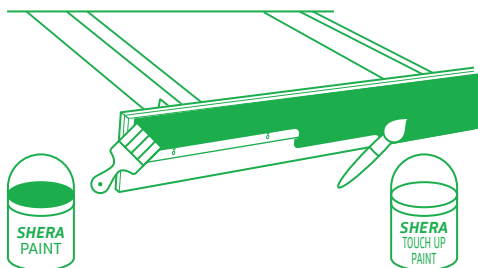


- 1 Install rafters spacing not more than 100 cm. apart.



- 2 Prime uncolored *SHERA* Eaves prior to installation.
- 3 Fasten *SHERA* 8" Eaves to the steel studs. Lay *SHERA* 6" Eaves to partly cover *SHERA* 8" Eaves and screw the eaves together at every 30 cm.

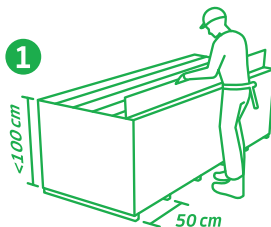


- 4 Caulk at all end joints and over the screw heads.

For Uncolored *SHERA* Eaves  
Clean up before painting.

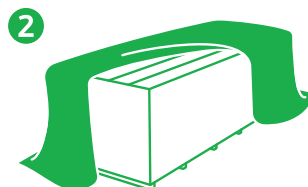
For Colored *SHERA* Eaves  
Touch up the screw head after installed.

## Handling & storage



*SHERA* products should be handled and stacked carefully to avoid damages to their edges and corners.

The maximum height of stack is 1 meter with timber bearers supported at every 50 cm.



*SHERA* products should be stacked on dry and leveled ground.

It is recommended to store *SHERA* under shade to prevent damages that could occur to the product in case of prolonged exposure to high humidity environment prior to installation.



During a transfer, *SHERA* products should be handled by 50 cm. from both ends.

The product should be lifted such that its side is parallel to the floor.

Avoid installing *SHERA* product under wet condition to reduce chance of cracking.