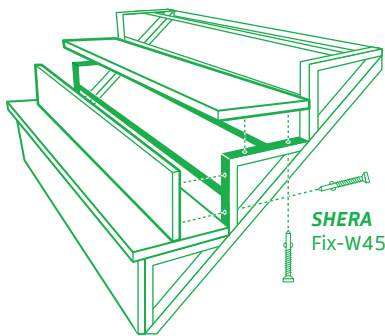
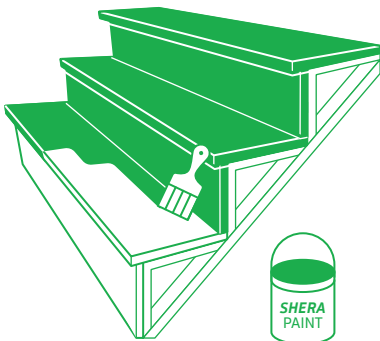


- 1 Install *SHERA* Stair on concrete slab or steel studs.

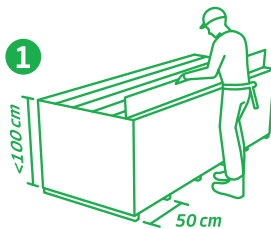


- 2 Prime all sides of uncolored *SHERA* Stair prior to installation and joint with *SHERA* Bond.
- 3 Fasten *SHERA* Stair to steel studs with screw.



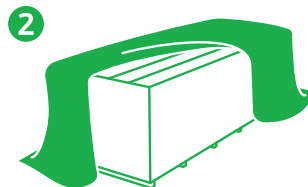
- 4 Caulk over the screw heads and clean up before painting.

Handling & storage



SHERA products should be handled and stacked carefully to avoid damages to their edges and corners.

The maximum height of stack is 1 meter with timber bearers supported at every 50 cm.



SHERA products should be stacked on dry and leveled ground.

It is recommended to store *SHERA* under shade to prevent damages that could occur to the product in case of prolonged exposure to high humidity environment prior to installation.



During a transfer, *SHERA* products should be handled at 50 cm from both ends.

The product should be lifted such that its side is parallel to the floor.

Avoid installing *SHERA* product under wet condition to reduce chance of cracking.