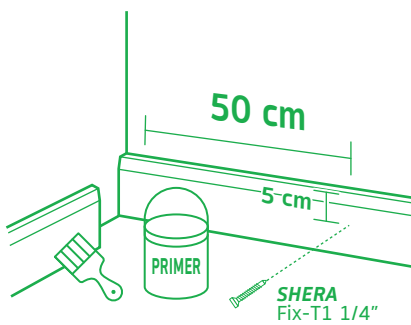
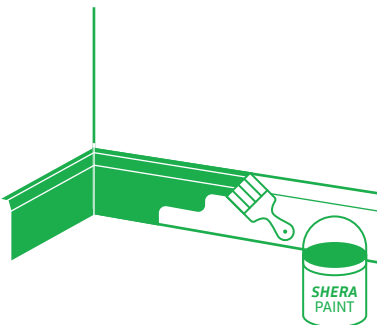


1 Clean up the product surface.



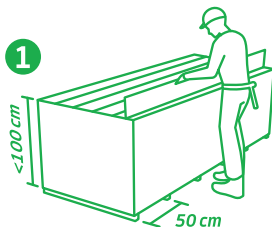
2 Prime uncolored *SHERA* Skirt prior to installation.

3 Fasted *SHERA* Skirt with screws at the middle from long-side edges, every 50 cm.



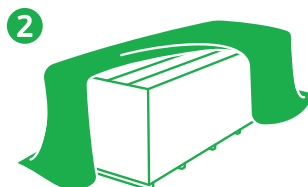
4 Caulk over the screw heads and clean up before painting.

## Handling & storage



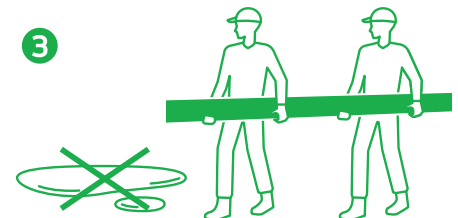
*SHERA* products should be handled and stacked carefully to avoid damages to their edges and corners.

The maximum height of stack is 1 meter with timber bearers supported at every 50 cm.



*SHERA* products should be stacked on dry and leveled ground.

It is recommended to store *SHERA* under shade to prevent damages that could occur to the product in case of prolonged exposure to high humidity environment prior to installation.



During a transfer, *SHERA* products should be handled at 50 cm from both ends.

The product should be lifted such that its side is parallel to the floor.

Avoid installing *SHERA* product under wet condition to reduce chance of cracking.